

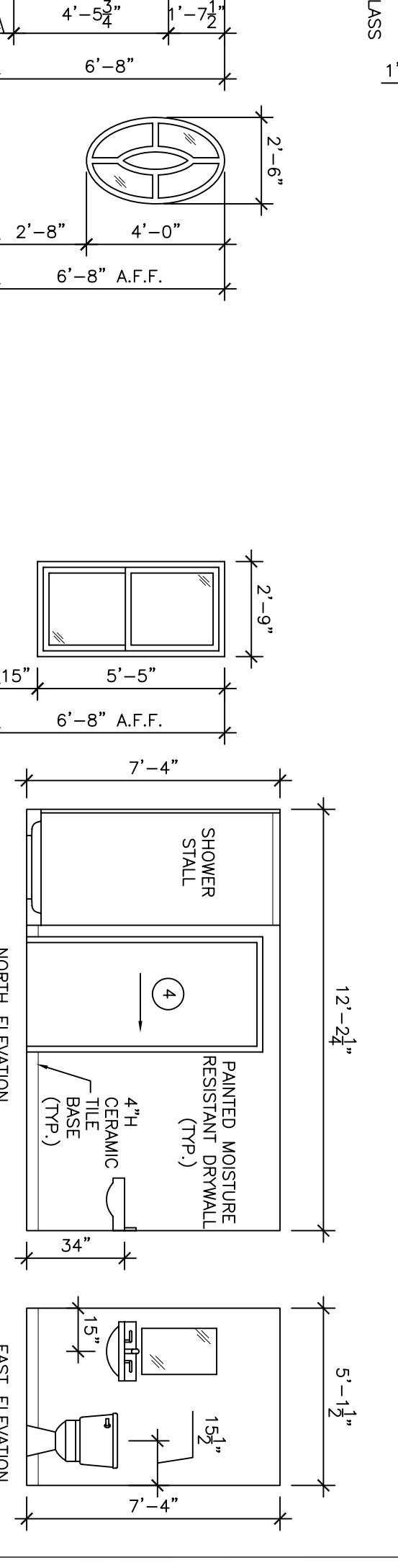
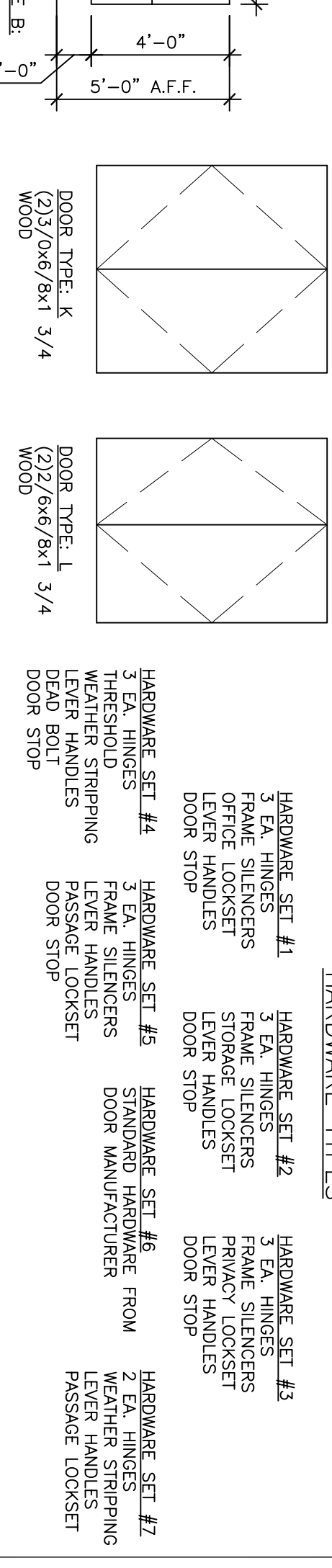
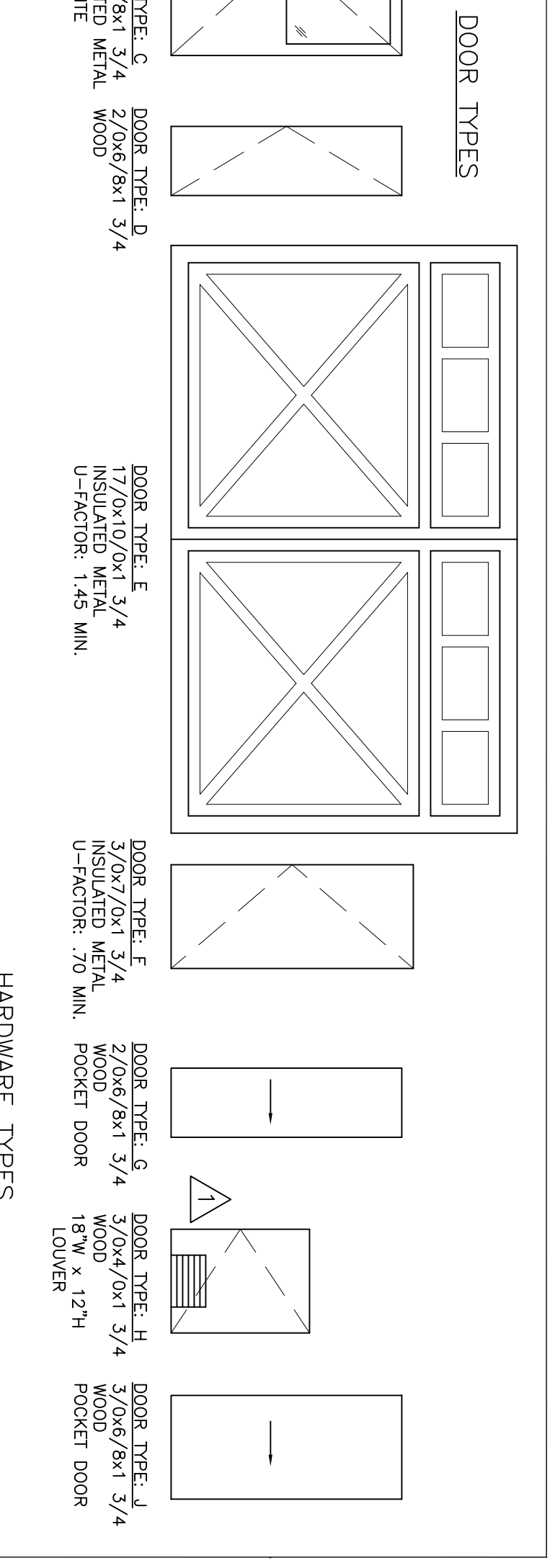
PROPOSED BASEMENT DIMENSION PLAN
SCALE: 1/4" = 1'-0"

#	TYPE	MATL	WIDTH	HEIGHT	THICK	FINISH	HDW	GRP	FRAME	FINISH	LITE	REMARKS
1	A	WOOD	3/0	6/8	1 3/4	STAIN	1		STAIN			
2	A	WOOD	3/0	6/8	1 3/4	STAIN	1		STAIN			
3	B	INSULATED METAL	3/0	6/8	1 3/4	STAIN	2		PAINT			1 HR RATED
4	J	WOOD	3/0	6/8	1 3/4	STAIN	3		STAIN			POCKET DOOR
5	C	INSULATED METAL	3/0	6/8	1 3/4	STAIN	4		STAIN			HALF
6	D	WOOD	2/0	6/8	1 3/4	STAIN	5		STAIN			
7	E	WOOD	2/0	6/8	1 3/4	STAIN	6		STAIN			
8	F	INSULATED METAL	3/0	7/0	1 3/4	PAINT	4		PAINT			OVERHEAD DOOR
9	D	WOOD	2/0	6/8	1 3/4	STAIN	5		STAIN			
10	A	WOOD	3/0	6/8	1 3/4	STAIN	3		STAIN			
11	A	WOOD	3/0	6/8	1 3/4	STAIN	3		STAIN			
12	A	WOOD	3/0	6/8	1 3/4	STAIN	1		STAIN			
13	A	WOOD	3/0	6/8	1 3/4	STAIN	1		STAIN			
14	D	WOOD	2/0	6/8	1 3/4	STAIN	5		STAIN			
15	D	WOOD	2/0	6/8	1 3/4	STAIN	5		STAIN			
16	D	WOOD	2/0	6/8	1 3/4	STAIN	5		STAIN			
17	D	WOOD	2/0	6/8	1 3/4	STAIN	5		STAIN			
18	A	WOOD	3/0	6/8	1 3/4	STAIN	1		STAIN			
19	H	WOOD	3/0	4/0	1 3/4	STAIN	7		STAIN			
20	G	WOOD	2/0	6/8	1 3/4	STAIN	6		STAIN			
21	G	WOOD	2/0	6/8	1 3/4	STAIN	6		STAIN			POCKET DOOR
22	G	WOOD	2/0	6/8	1 3/4	STAIN	7		STAIN			POCKET DOOR
23	H	WOOD	3/0	4/0	1 3/4	STAIN	1		STAIN			
24	A	WOOD	3/0	6/8	1 3/4	STAIN	1		STAIN			
25	H	WOOD	3/0	4/0	1 3/4	STAIN	7		STAIN			
26	H	WOOD	3/0	4/0	1 3/4	STAIN	7		STAIN			
27	H	WOOD	3/0	4/0	1 3/4	STAIN	7		STAIN			
28	H	WOOD	3/0	4/0	1 3/4	STAIN	7		STAIN			
29	H	WOOD	3/0	4/0	1 3/4	STAIN	7		STAIN			
30	G	WOOD	2/0	6/8	1 3/4	STAIN	6		STAIN			POCKET DOOR
31	K	WOOD	(2)3/0	6/8	1 3/4	STAIN	5		STAIN			
32	L	WOOD	(2)2/6	6/8	1 3/4	STAIN	5		STAIN			
33	L	WOOD	(2)2/6	6/8	1 3/4	STAIN	5		STAIN			
34	L	WOOD	(2)2/6	6/8	1 3/4	STAIN	3		STAIN			
35	L	WOOD	(2)2/6	6/8	1 3/4	STAIN	3		STAIN			
36	K	WOOD	(2)3/0	6/8	1 3/4	STAIN	5		STAIN			

WINDOW SCHEDULE

TYPE	FRAME	WIDTH	HEIGHT	MANUFACTURER	REMARKS
A	WOOD/ALUM	2'-5"	1'-10"	PELLA	TEMPERED GLASS
B	WOOD/ALUM	2'-6"	4'-0"	PELLA	TEMPERED GLASS
C	WOOD/ALUM	2'-7 9/16"	5'-6 1/2"	PELLA	TEMPERED GLASS
D	WOOD/ALUM	7'-8"	6'-1 1/4"	PELLA	TEMPERED GLASS
E	WOOD/ALUM	2'-6"	4'-0"	PELLA	TEMPERED GLASS
F	WOOD/ALUM	2'-9"	5'-5"	PELLA	TEMPERED GLASS
G	WOOD/ALUM	2'-9"	5'-5"	PELLA	NOT USED

NOTE: WINDOWS SHALL HAVE A U-FACTOR OF .35 MIN.
NOTE: WINDOWS ON SECOND & THIRD FLOORS WHERE THE SILL HEIGHT IS LESS THAN 24" SHALL BE PROVIDED WITH FACTORY INSTALLED SASH STOPPERS TO PREVENT LOWER WINDOW SECTIONS TO OPEN MORE THAN 4" PER SECTION 1403.12.2.



ROOM AREA	FLOOR	MATERIAL	BASE	NORTH WALL	SOUTH WALL	EAST WALL	WEST WALL	CEILING	REMARKS
001 NEW BEDROOM #11	Z	CT	DW	PA	DW	PA	PA	PA	
002 NEW BEDROOM #10	Z	CT	DW	PA	DW	PA	PA	PA	
003 NEW BASEMENT STUDY	Z	CT	DW	PA	DW	PA	PA	PA	
004 NEW MECHANICAL ROOM	Z	VB	DW	PA	DW	PA	PA	PA	
005 NEW BASEMENT BATHROOM	Z	CT	DW/MR	PA	DW/MR	PA	DW/MR	PA	4TH BASE
100 Foyer	EX	EX	EX	PA	EX	PA	EX	PA	
101 NEW LAUNDRY	CT	CT	EX	PA	EX	PA	EX	PA	
102 LIVING	EX	EX	EX	PA	EX	PA	EX	PA	
103 KITCHEN	CT	CT	EX	PA	EX	PA	EX	PA	
104 DINING	EX	EX	EX	PA	EX	PA	EX	PA	
105 NEW GARAGE	CO	VB	DW	PA	DW	PA	DW	PA	
106 POWDER ROOM	CO	VB	DW	PA	CMU	PA	DW	PA	4TH BASE
200 BEDROOM #1	EX	EX	EX	PA	EX	PA	EX	PA	
201 BEDROOM #2	EX	EX	EX	PA	EX	PA	EX	PA	
202 BEDROOM #3	EX	EX	EX	PA	EX	PA	EX	PA	
203 BEDROOM #4	EX	EX	EX	PA	EX	PA	EX	PA	
204 NEW STUDT AREA #1	CT	DW	PA	PA	DW	PA	PA	PA	
205 BATH #1	CT	DW/MR	PA	PA	DW/MR	PA	DW/MR	PA	4TH BASE
206 BATH #2	CT	DW/MR	PA	PA	DW/MR	PA	DW/MR	PA	4TH BASE
207 BEDROOM #5	CT	DW	PA	PA	DW	PA	PA	PA	
208 BEDROOM #6	CT	DW	PA	PA	DW	PA	PA	PA	
300 BEDROOM #7	EX	WD	EX	EX	EX	EX	EX	PA	
301 BATH #3	CT	CT	DW/MR	PA	DW/MR	PA	DW/MR	PA	4TH BASE
302 NEW HALLWAY	CT	DW	PA	PA	DW	PA	DW	PA	
303 BATH #4	CT	CT	DW/MR	PA	DW/MR	PA	DW/MR	PA	4TH BASE
304 BEDROOM #8	CT	CT	DW	PA	DW	PA	DW	PA	
305 BEDROOM #8	CT	CT	DW	PA	DW	PA	DW	PA	

FINISH SCHEDULE

CMU = CONCRETE MASONRY UNIT
CO = CERAMIC TILE
CT = CERAMIC TILE
DW = DRYWALL
EX = EXISTING
MR = MOISTURE RESISTANT
PA = PAINT
VB = VINYL BASE
WD = WOOD

