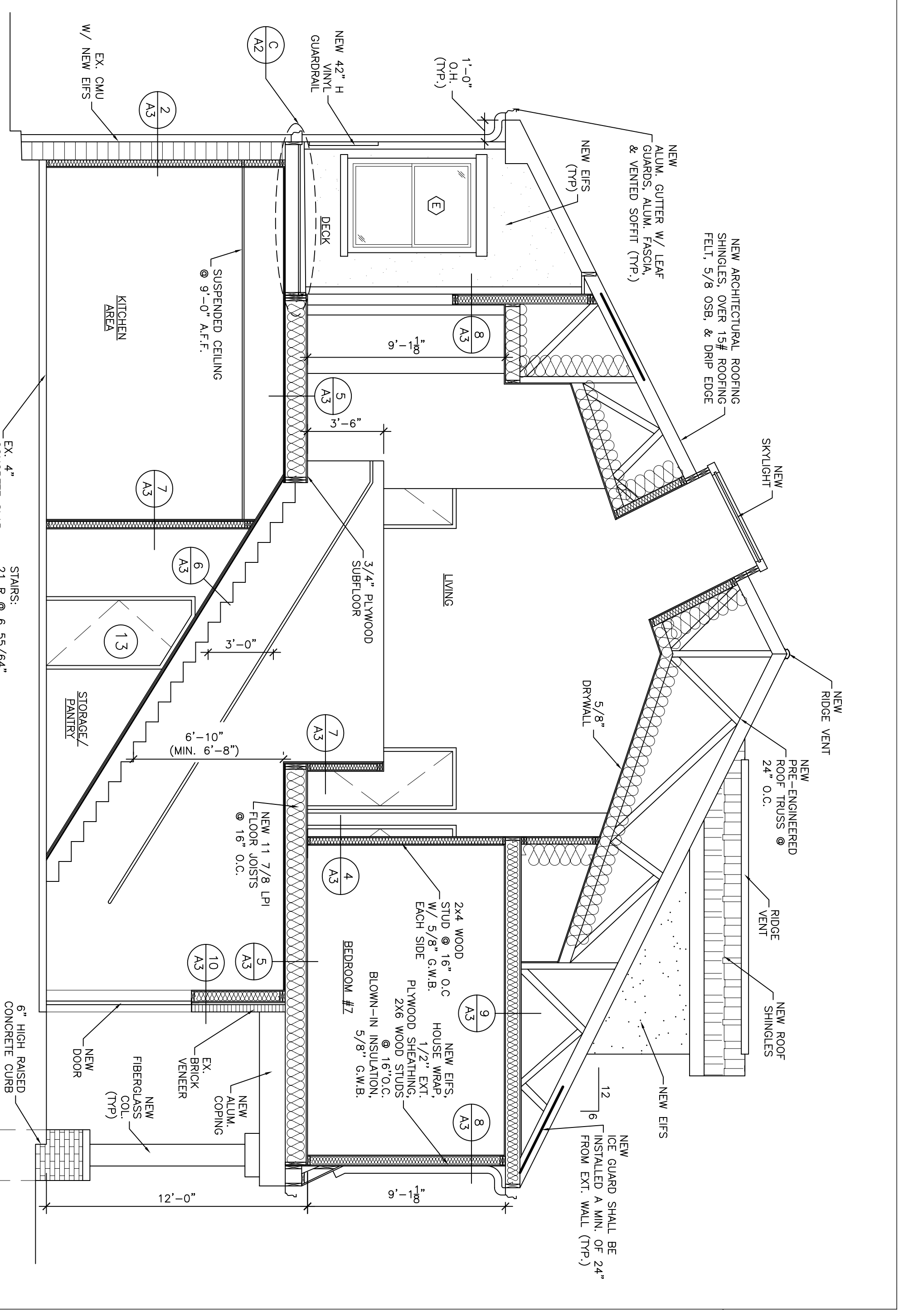
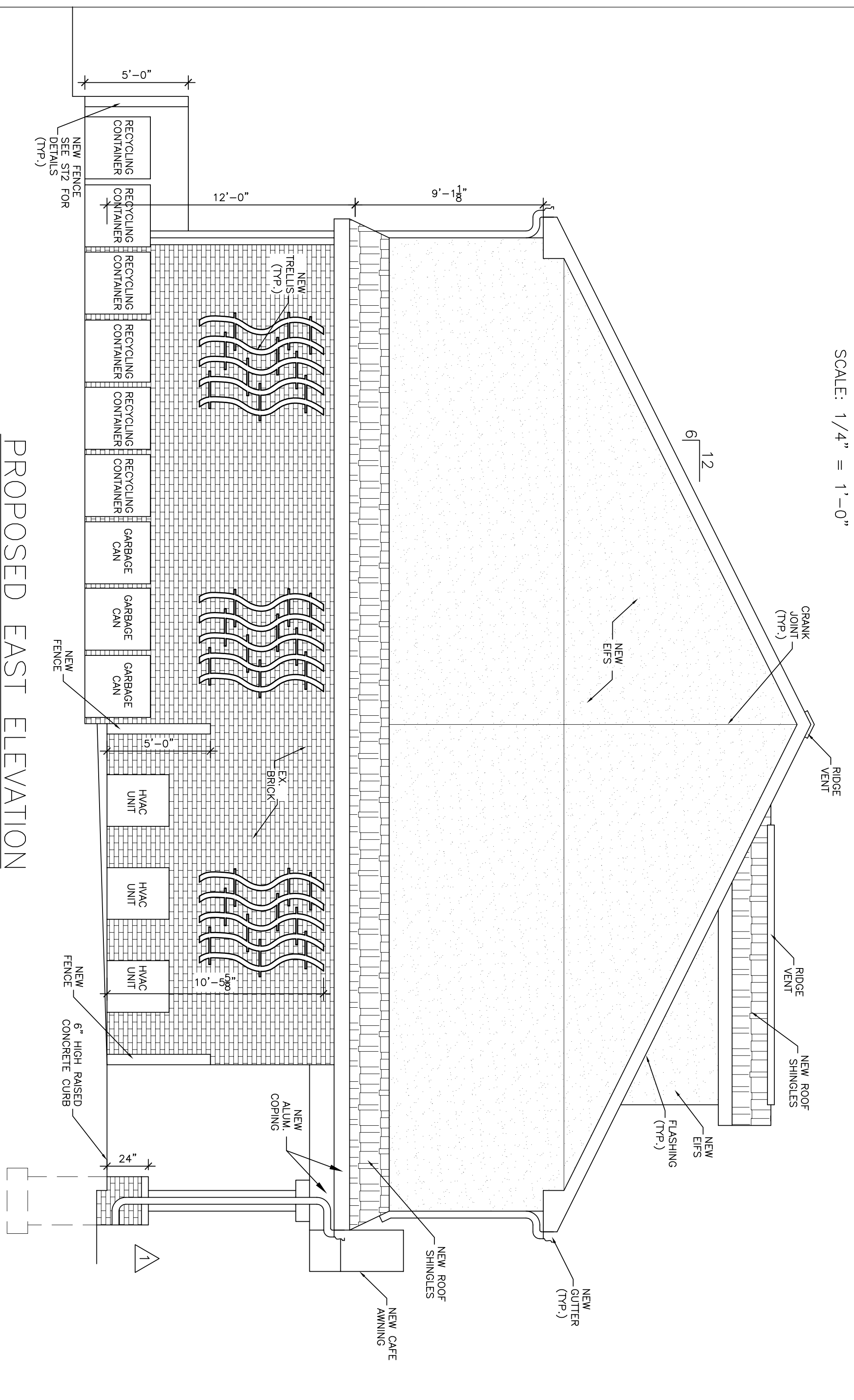


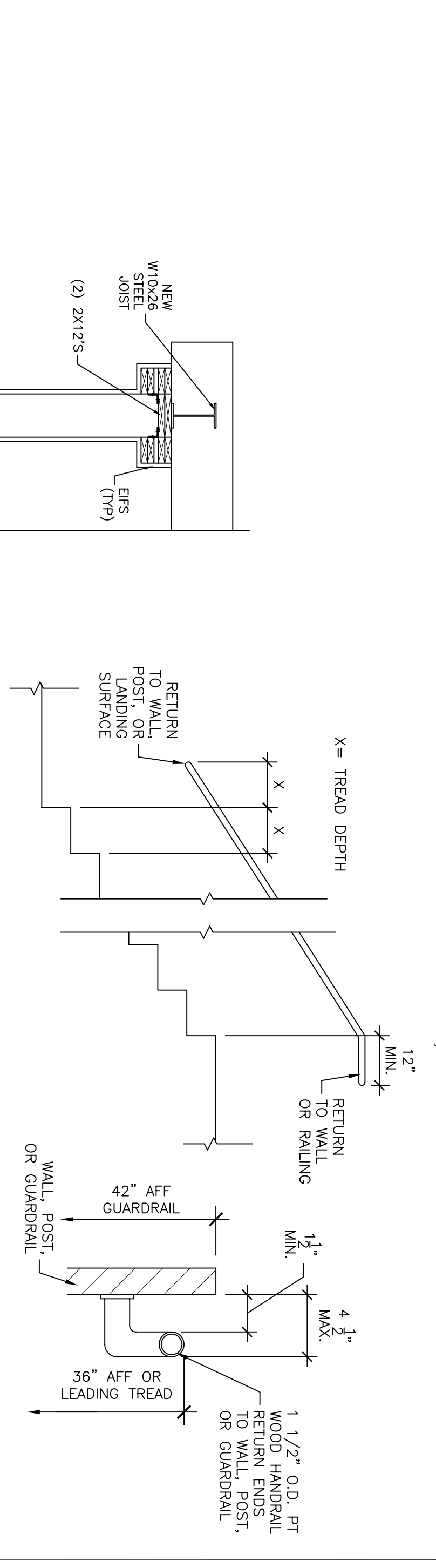
PROPOSED NORTH ELEVATION
SCALE: 1/4" = 1'-0"



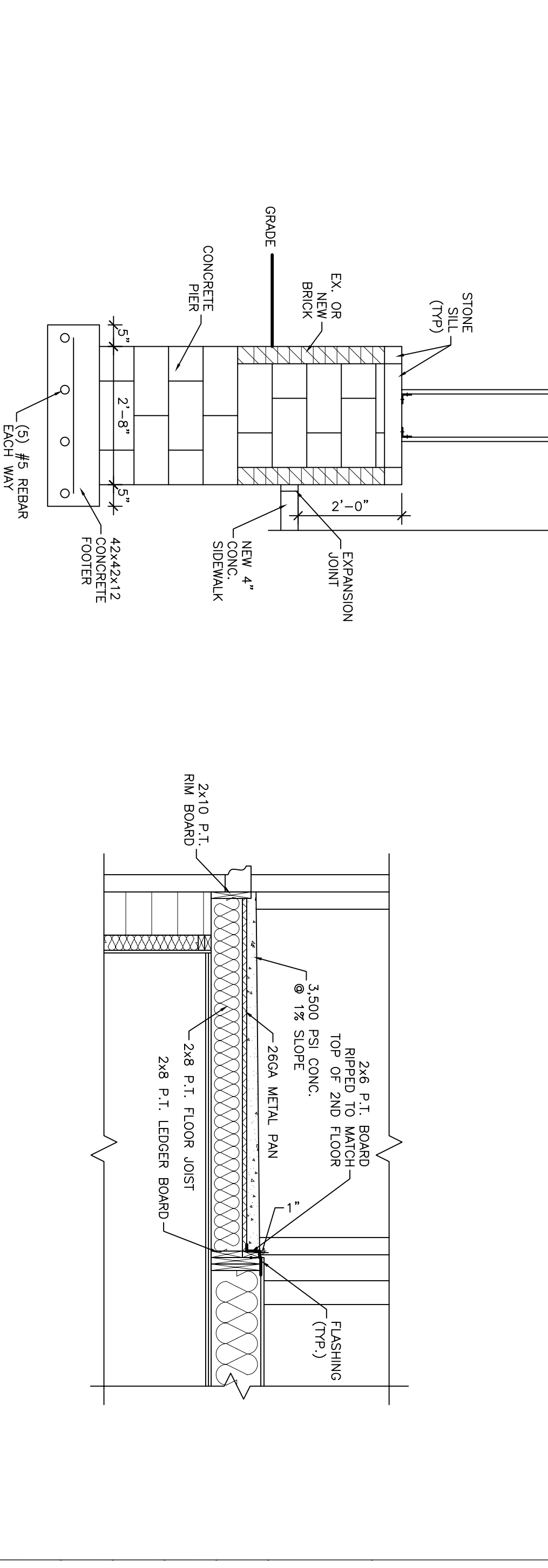
PROPOSED SECTION
SCALE: 1/4" = 1'-0"



PROPOSED EAST ELEVATION
SCALE: 1/4" = 1'-0"

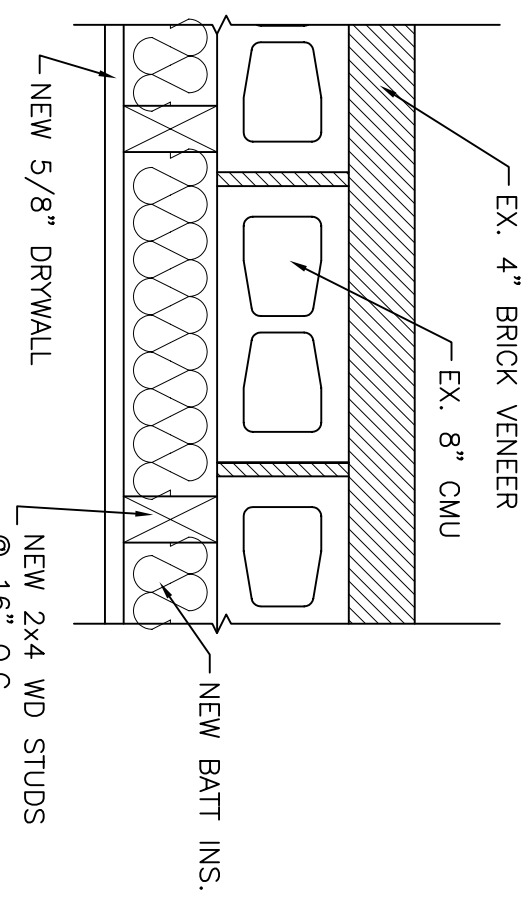


STAIR RAILING DETAILS
SCALE: N.T.S.



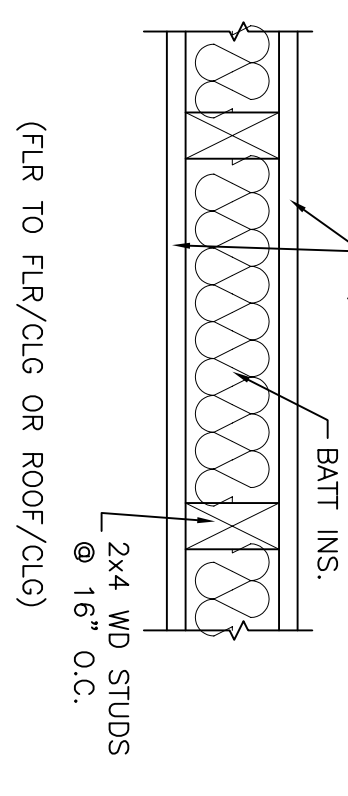
PROPOSED SECTION
SCALE: 1/2" = 1'-0"

PROPOSED SECTION
SCALE: 1/2" = 1'-0"



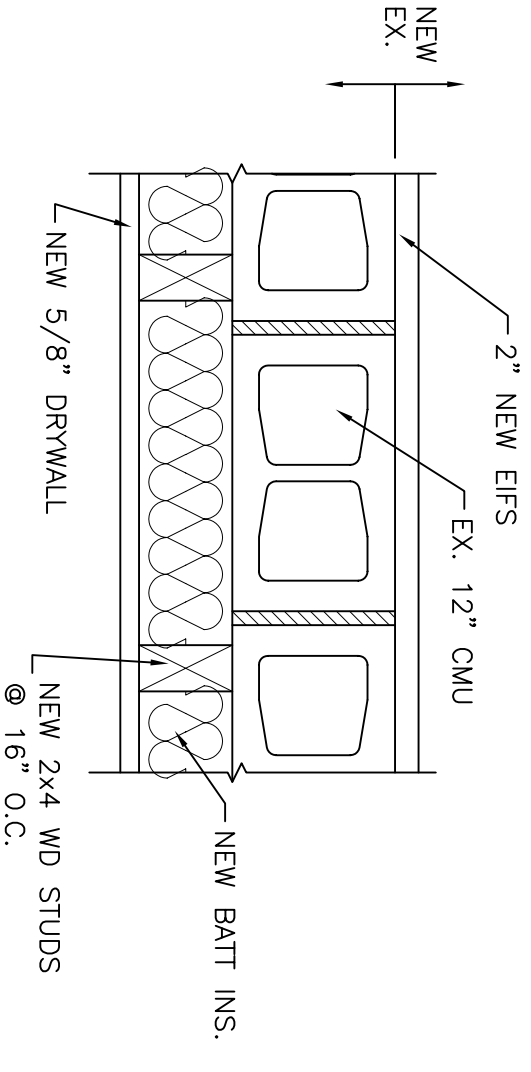
PER TABLE 720.1(2):
 3-1-2: HOLLOW BRICK, NOT FILLED: 120 MINS.
 3-1-3: LIMESTONE, CINDERS OR AIR-COOLED SLAG CMU = 240 MINS.
 PER TABLE 720.6.2(2):
 WOOD STUDS @ 16" O.C. = 20 MINS.
 PER TABLE 721.6.2(1):
 5/8" DRYWALL = 15 MINS.
 TOTAL: 395 MINS.
 (EXCEEDS MIN. 60 MIN. REQ'D.)

1 EX./NEW 1HR WALL DETAIL
 A3 N.T.S.



PER TABLE 720.1(2):
 3-1-3: LIMESTONE, CINDERS OR AIR-COOLED SLAG CMU = 240 MINS.
 PER TABLE 720.6.2(2):
 WOOD STUDS @ 16" O.C. = 20 MINS.
 PER TABLE 721.6.2(1):
 5/8" DRYWALL = 15 MINS.
 TOTAL: 275 MINS.
 (EXCEEDS MIN. 60 MIN. REQ'D.)

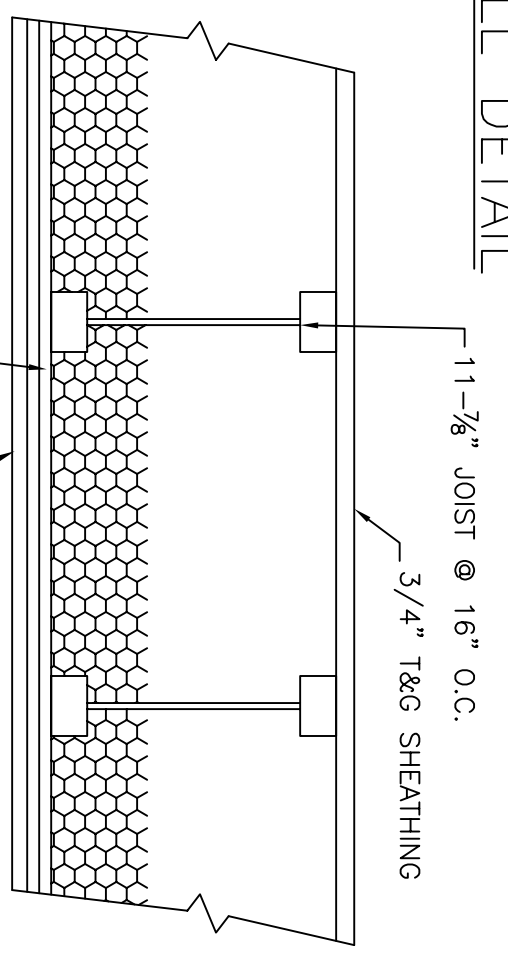
2 EX./NEW 1HR WALL DETAIL
 A3 N.T.S.



PER TABLE 720.1(2):
 3-1-3: LIMESTONE, CINDERS OR AIR-COOLED SLAG CMU = 240 MINS.
 PER TABLE 720.6.2(2):
 WOOD STUDS @ 16" O.C. = 20 MINS.
 PER TABLE 721.6.2(1):
 5/8" DRYWALL = 15 MINS.
 TOTAL: 275 MINS.
 (EXCEEDS MIN. 60 MIN. REQ'D.)

3 NEW 1HR WALL DETAIL
 A3 N.T.S.

4 NEW WALL DETAIL
 A3 N.T.S.

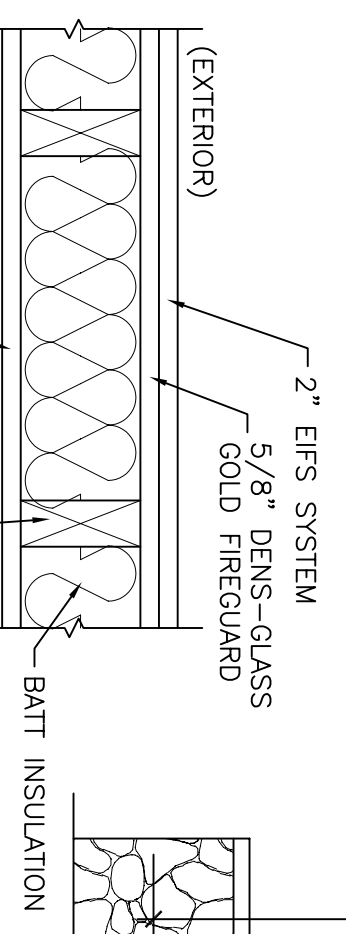


5 NEW 1HR FLR/CLG DETAIL
 A3 N.T.S. (1HR RATING) (ESR: 1305) (STC: 50)

(2) LAYERS 1/2" FIRECODE DRYWALL APPLIED AT RIGHT ANGLES TO RESILIENT FLOORING CHANNELS 16" O.C. & INSTALLED PERPENDICULAR TO THE JOISTS & ATTACHED TO THE BOTTOM FLANG OF THE JOIST W/ 1" LONG TYPE 'S' SCREWS. FIRST LAYER OF DRYWALL SHALL BE ATTACHED TO THE RESILIENT CHANNELS USING 1" LONG TYPE 'S' SCREWS SPACED 12" O.C. THE SECOND LAYER OF DRYWALL SHALL BE INSTALLED WITH THE JOISTS STAGGERED FROM THE FIRST LAYER & ATTACHED USING 1 5/8" LONG TYPE 'S' SCREWS. THE SCREW SPACING ON THE SECOND LAYER OF DRYWALL SHALL BE 12" O.C. & 8" O.C. AT THE BEAMS. THE JOISTS SHALL BE COVERED WITH 1/2" TYPE 'G' DRYWALL. THE JOIST JOINTS SHALL BE FINISHED WITH JOINT TAPE & COMPOUND. 1/4" JOIST SUPPORTING 3/4" T&G SHEATHING, R11 INSULATION.

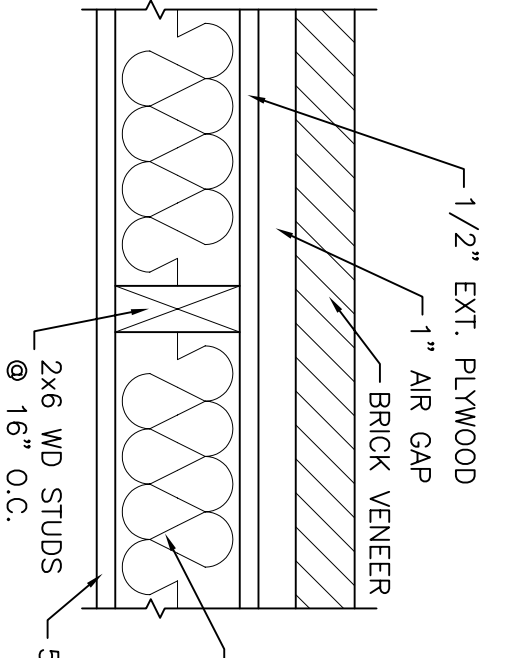


6 NEW 1HR UNDER STAR DETAIL
 A3 SCALE: N.T.S.

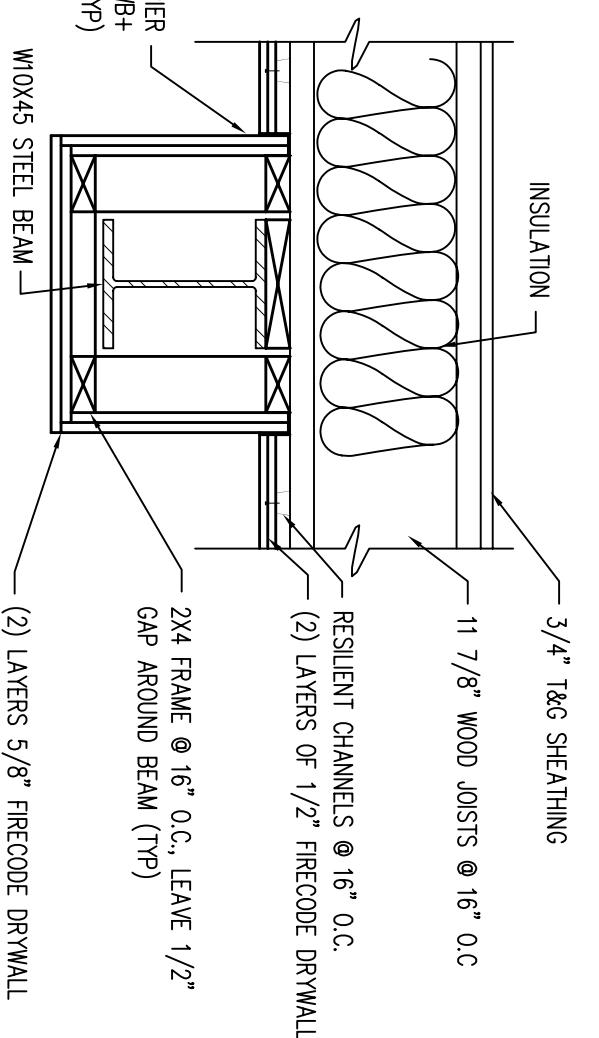


EXTERIOR SIDE: ONE LAYER 5/8" PROPRIETARY TYPE X GLASS MAT GYPSUM SUBSTRATE (SHEATHING) APPLIED TO 2x4 WOOD STUDS 16" O.C. W/ GALVANIZED ROOFING NAILS, 1 3/4" LONG, 0.128" SHANK, 7/16" HEAD, 8" O.C. EXTERIOR SURFACE COVERED W/ WEATHER EXPOSED CLADDING OR FINISH SYSTEM.
 INTERIOR SIDE: ONE LAYER 5/8" FIRECODE DRYWALL APPLIED PARALLEL OR AT RIGHT ANGLES TO STUDS W/ 60 COATED NAILS, 1 7/8" LONG, 0.0915" SHANK, 1/4" HEADS, 7" O.C.

7 NEW 1HR SEPARATION WALL DETAIL
 WP3230

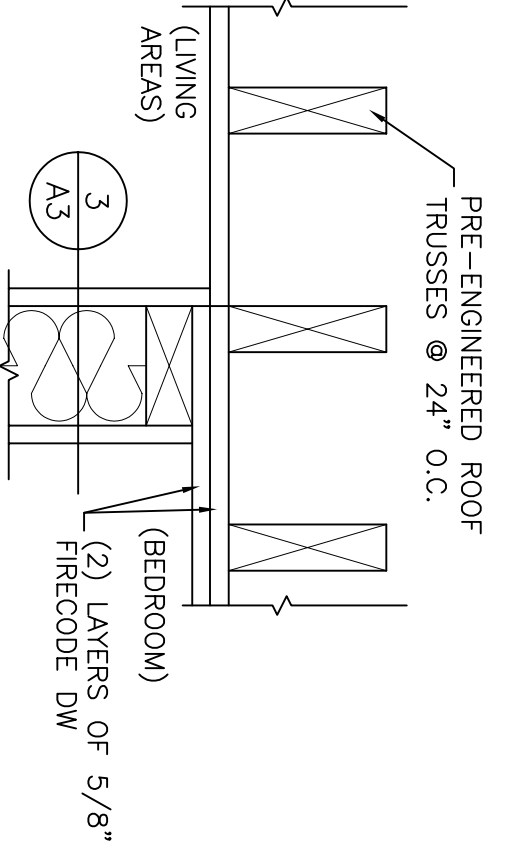


8 NEW 1HR EXTERIOR WALL DETAIL (BOTH SIDES)
 A3 N.T.S.



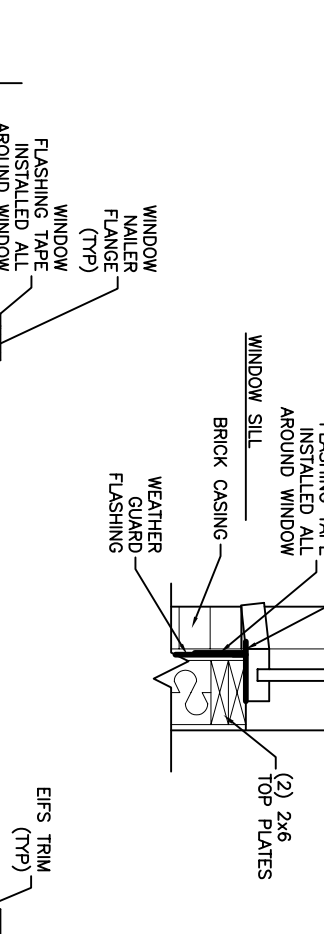
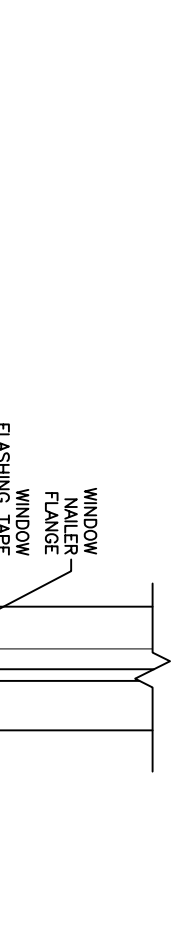
PER IRC 2006, SECTION 714.2.1, BEAMS SHALL BE PROTECTED ON ALL SIDES WITH MATERIALS HAVING THE REQUIRED FIRE-RESISTANCE RATING. (2) LAYERS OF 5/8" FIRECODE DRYWALL PROVIDES 80 MINS. FIRE PROTECTION FOR WOODS STEEL BEAM EXCEEDING 60 MIN. REQUIREMENT.

9 NEW 1HR ROOF/CEILING DETAIL
 RC 2601



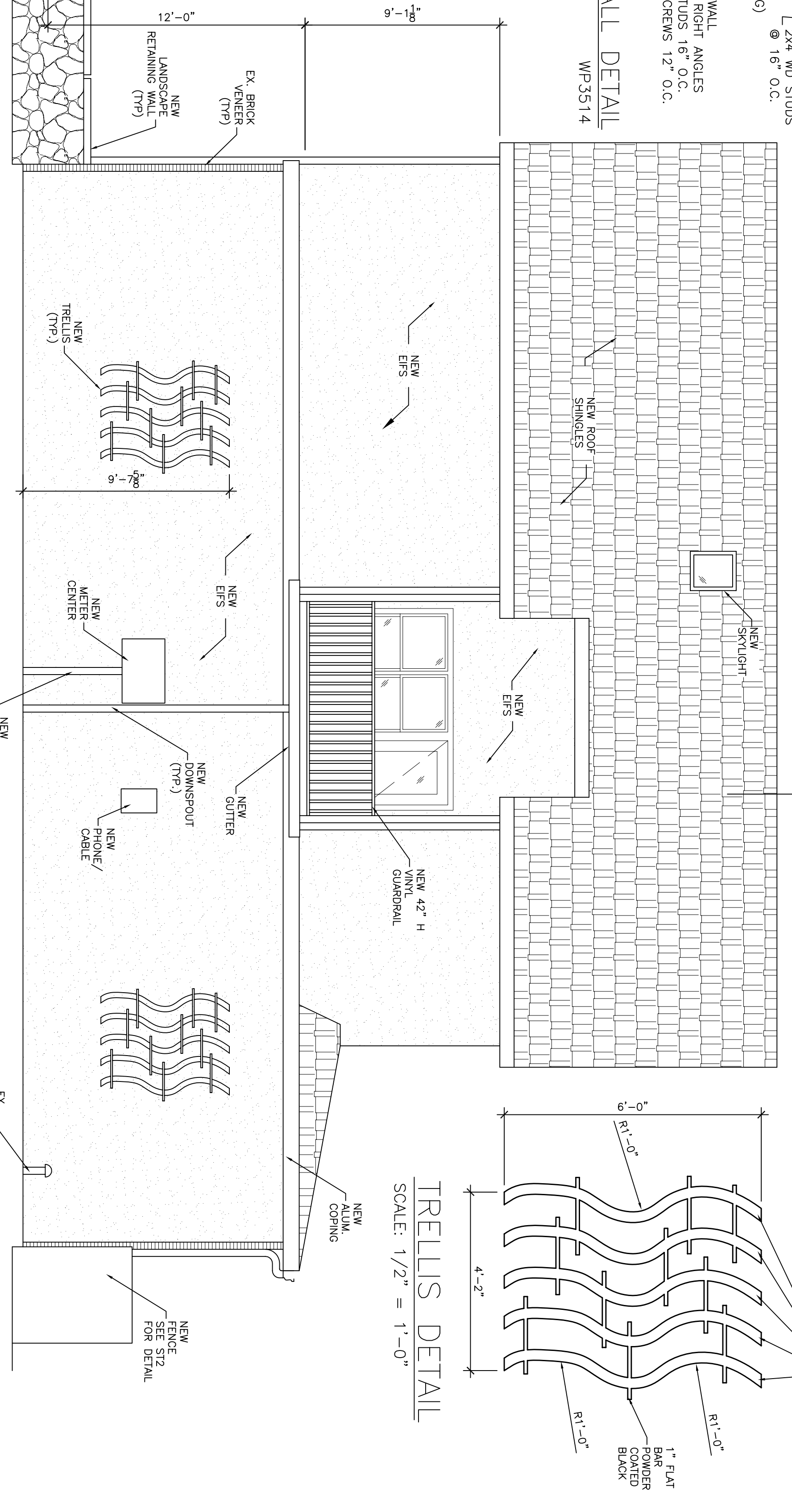
BASE LAYER: 5/8" FIRECODE DRYWALL APPLIED AT RIGHT ANGLES TO JOISTS/TRUSSES W/ FIRECODE SCREWS 24" O.C. TO JOISTS/TRUSSES WITH 1 7/8" TYPE 'S' DRYWALL SCREWS 12" O.C. JOISTS & INTERMEDIATE JOISTS & 1 1/2" TYPE 'G' DRYWALL SCREWS 12" O.C. PLACED 2" BACK ON EITHER SIDE OF END JOISTS, OFFSET 24" FROM BASE LAYER JOINTS.

10 NEW EXTERIOR WALL DETAIL
 A3 N.T.S.



11 NEW MASONRY WINDOW FLASHING DETAIL
 A3 N.T.S.

12 NEW BEAM DETAIL
 A3 N.T.S.



PROPOSED SOUTH ELEVATION
 SCALE: 1/4" = 1'-0"

TRELLIS DETAIL
 SCALE: 1/2" = 1'-0"

PROPOSED WEST ELEVATION
 SCALE: 1/4" = 1'-0"

